



TRUCK MOUNTED CRANE

HB60

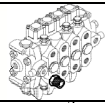
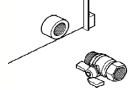


www.hyvacrane.com
www.hyva.com

Max dynamic moment [daNm]	8180
----------------------------------	------

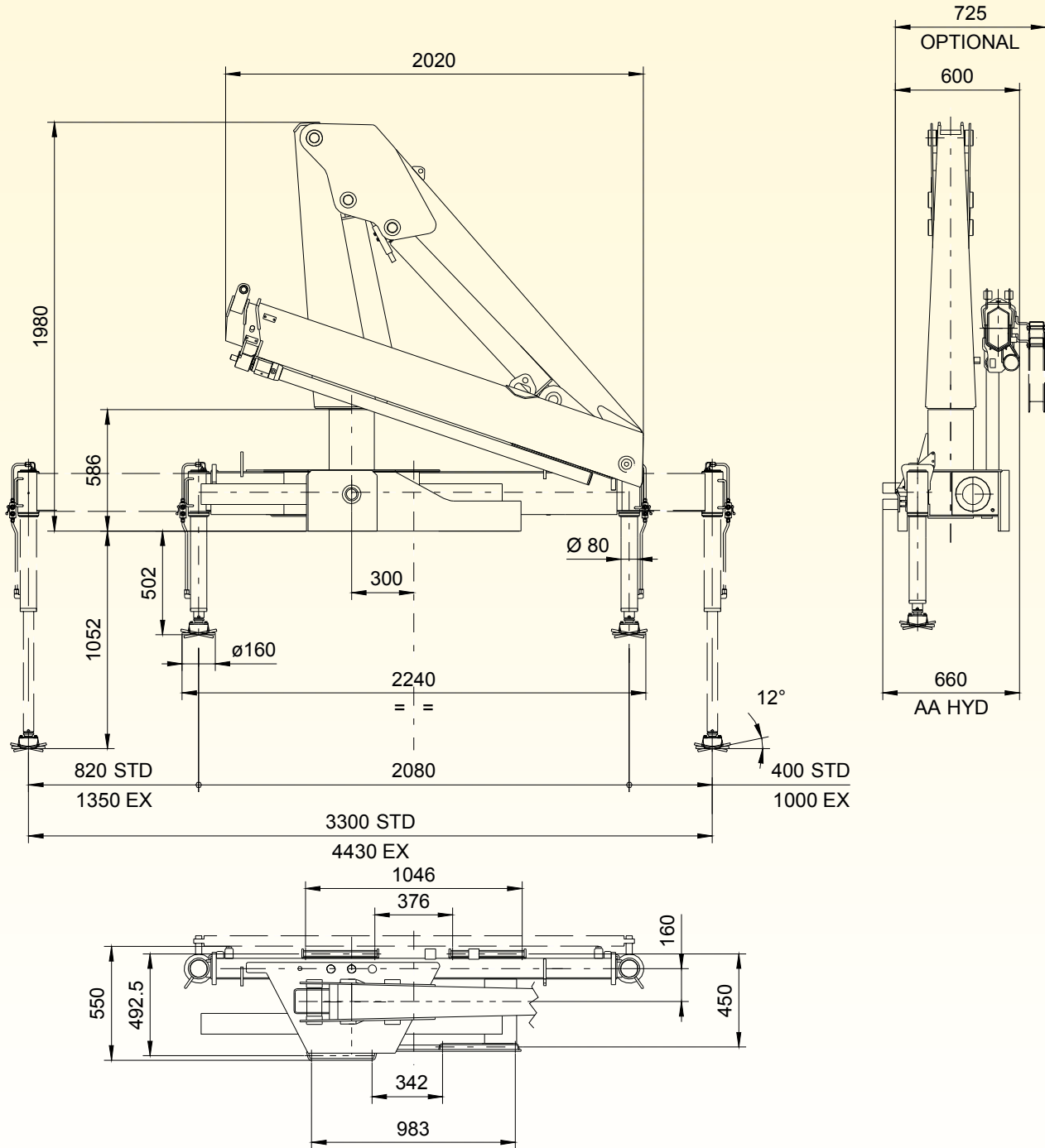
Max capacity [kg]	Q_{max}	
	E1	2680
	E2	2615
	E3	2515
	E4	2435

		STD	STD HYD	EX	EX HYD
Crane weight [kg]	E1	900	930	945	980
	E2	970	1000	1015	1050
	E3	1030	1060	1075	1110
	E4	1080	1110	1125	1160

Max force on the standard stabilizer leg	5435 daN	
Max force on the extra stabilizer leg	3835 daN	
Max standard stabilizer pressure on the ground	36 daN/cm ²	
Max extra stabilizer pressure on the ground	25 daN/cm ²	
Max working pressure	245 bar	
Max oil flow to main relief valve	20 l/min	
Oil tank capacity	35 l	
Slewing moment	1336 daNm	
Slewing angle	387°	
Absorbed power	10.8 kW 14.5 HP	
Design standard	DIN 15018 EN 12999	
Fittings for connection with pump	NO X	X
Control valve pressure line	 M 3/4" - 16 JIC	M 3/4" - 16 JIC
Tank suction line	 F 1" BSP	F 1" BSP

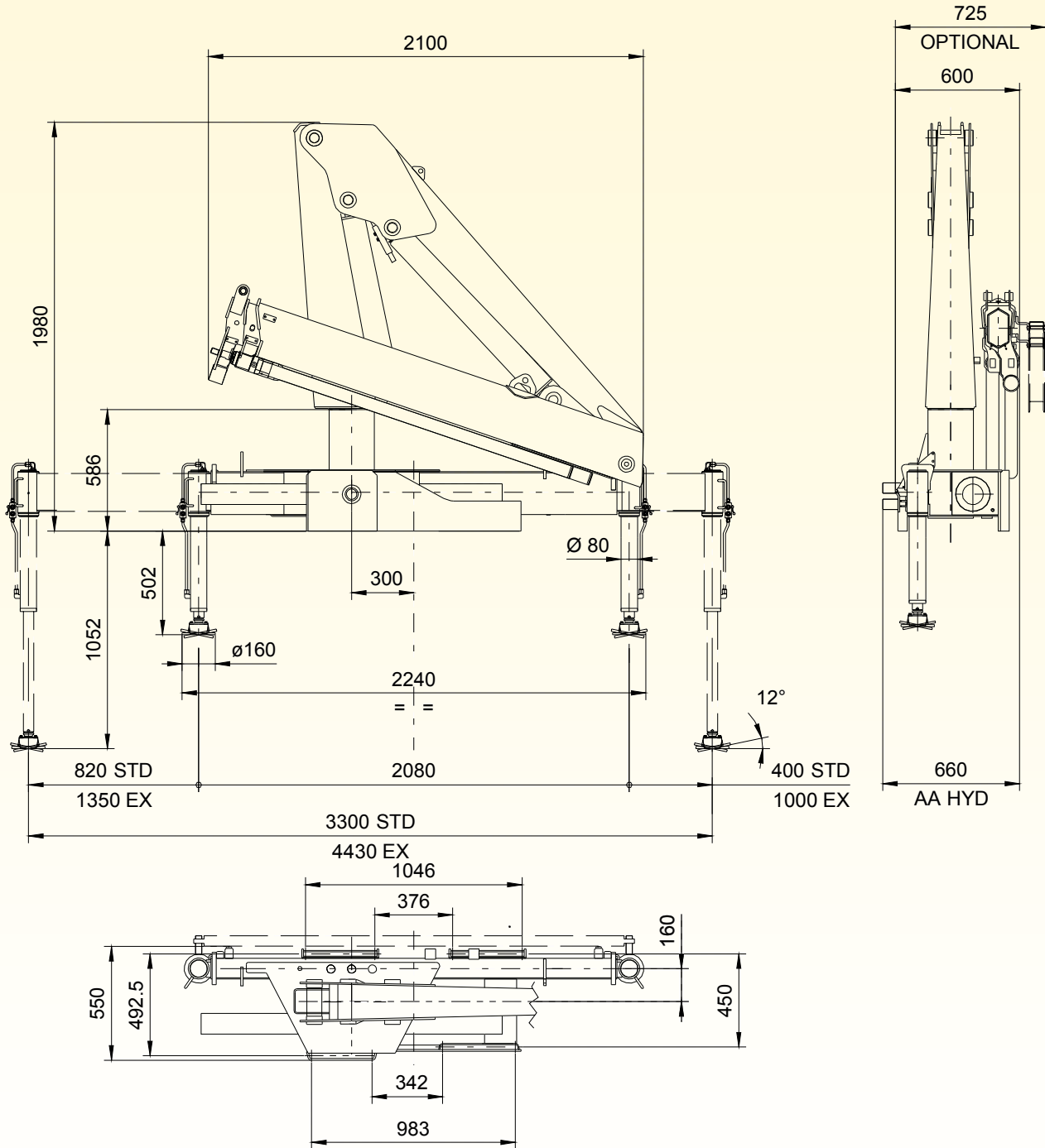
HB60 TECHNICAL SHEET

OVERALL DIMENSIONS E1



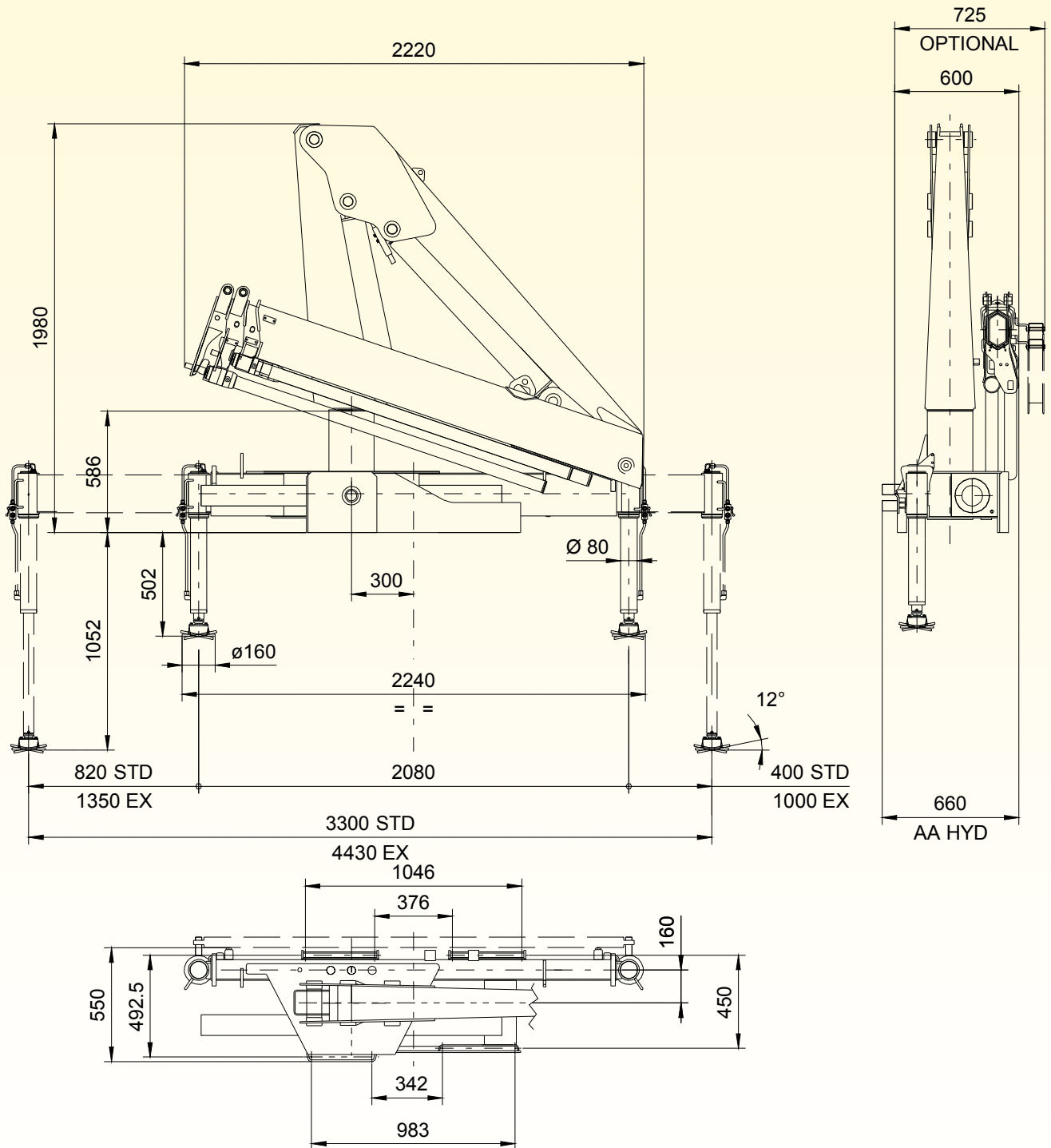
HB60 TECHNICAL SHEET

OVERALL DIMENSIONS E2



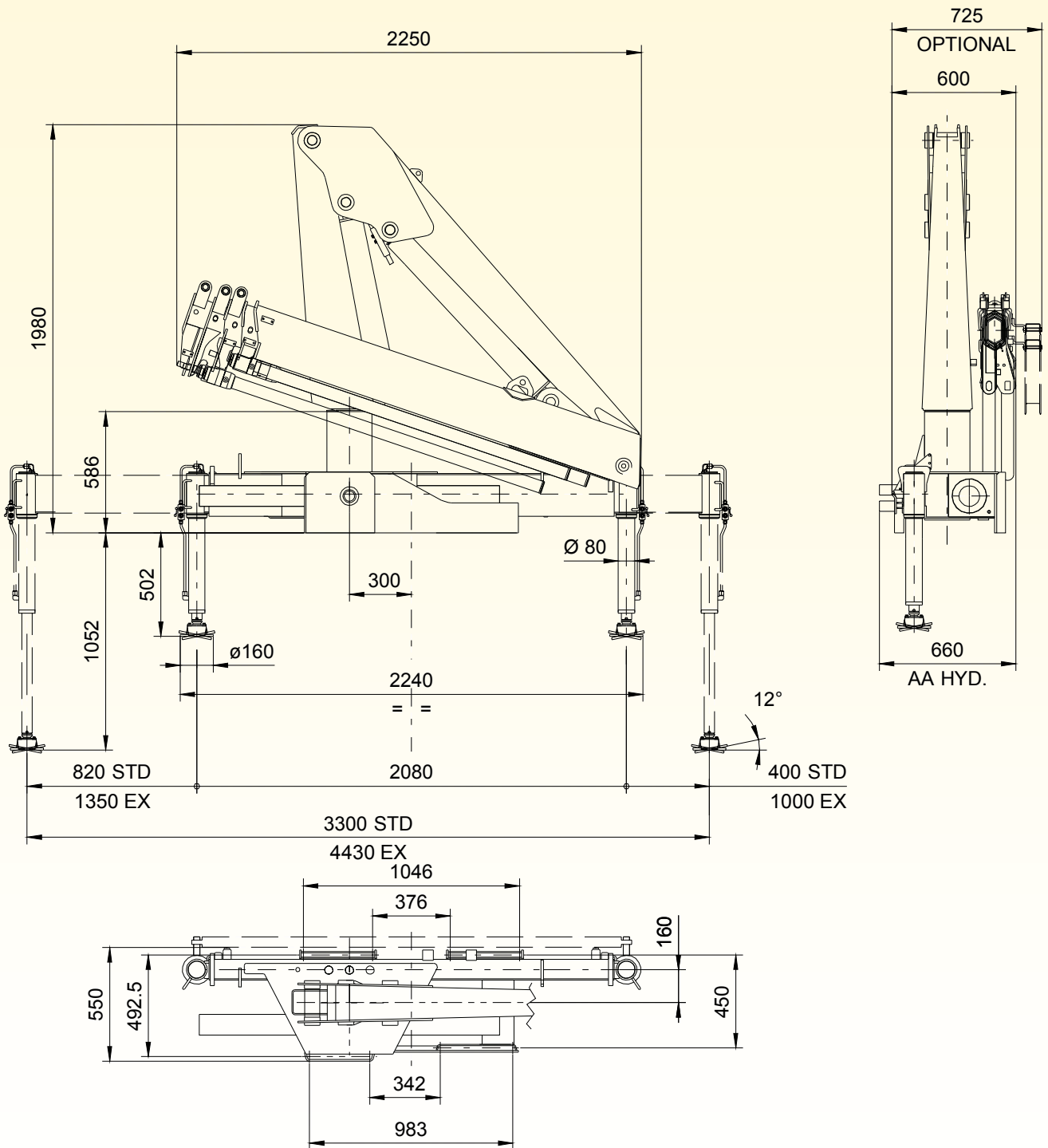
HB60 TECHNICAL SHEET

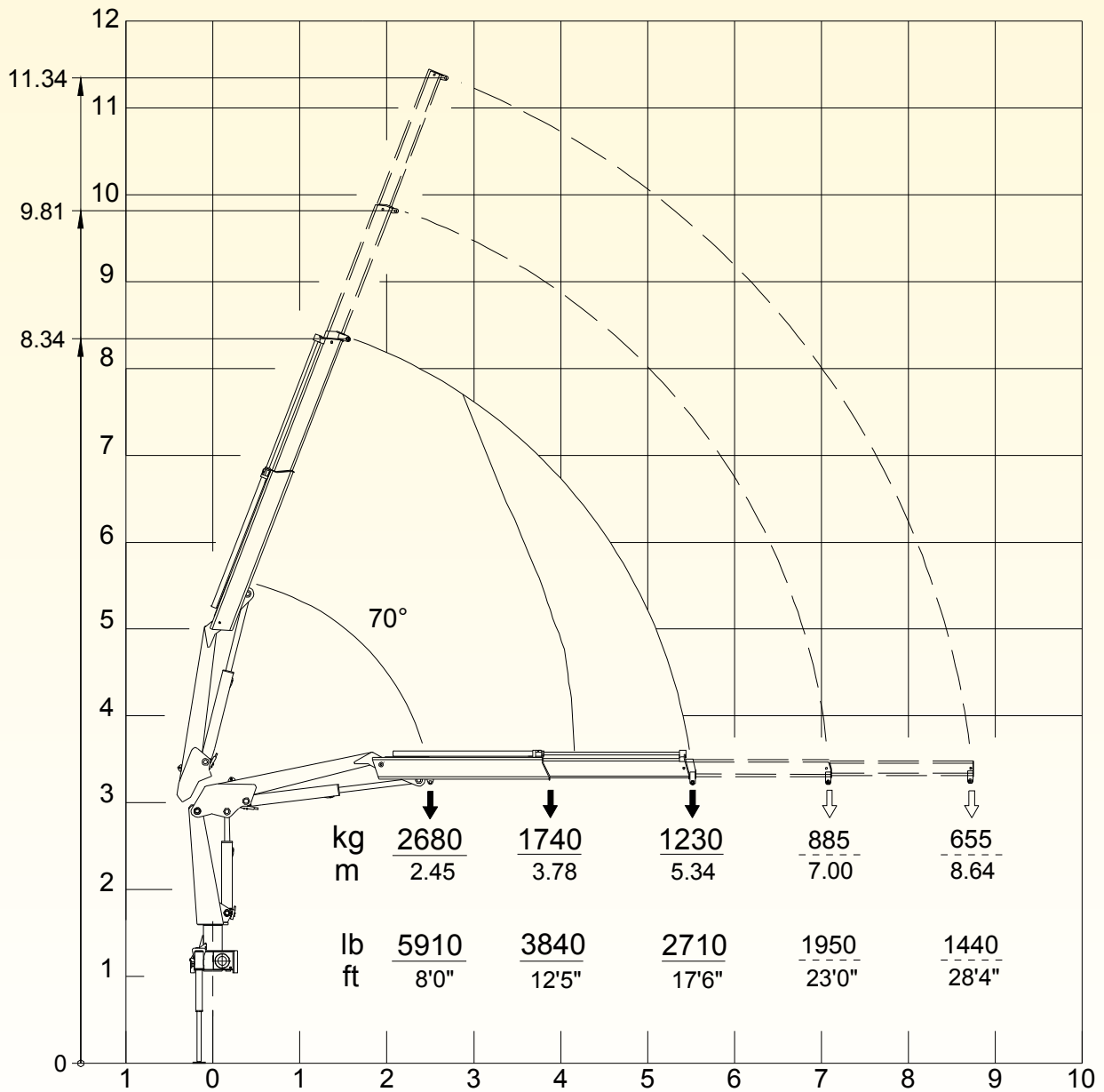
OVERALL DIMENSIONS E3

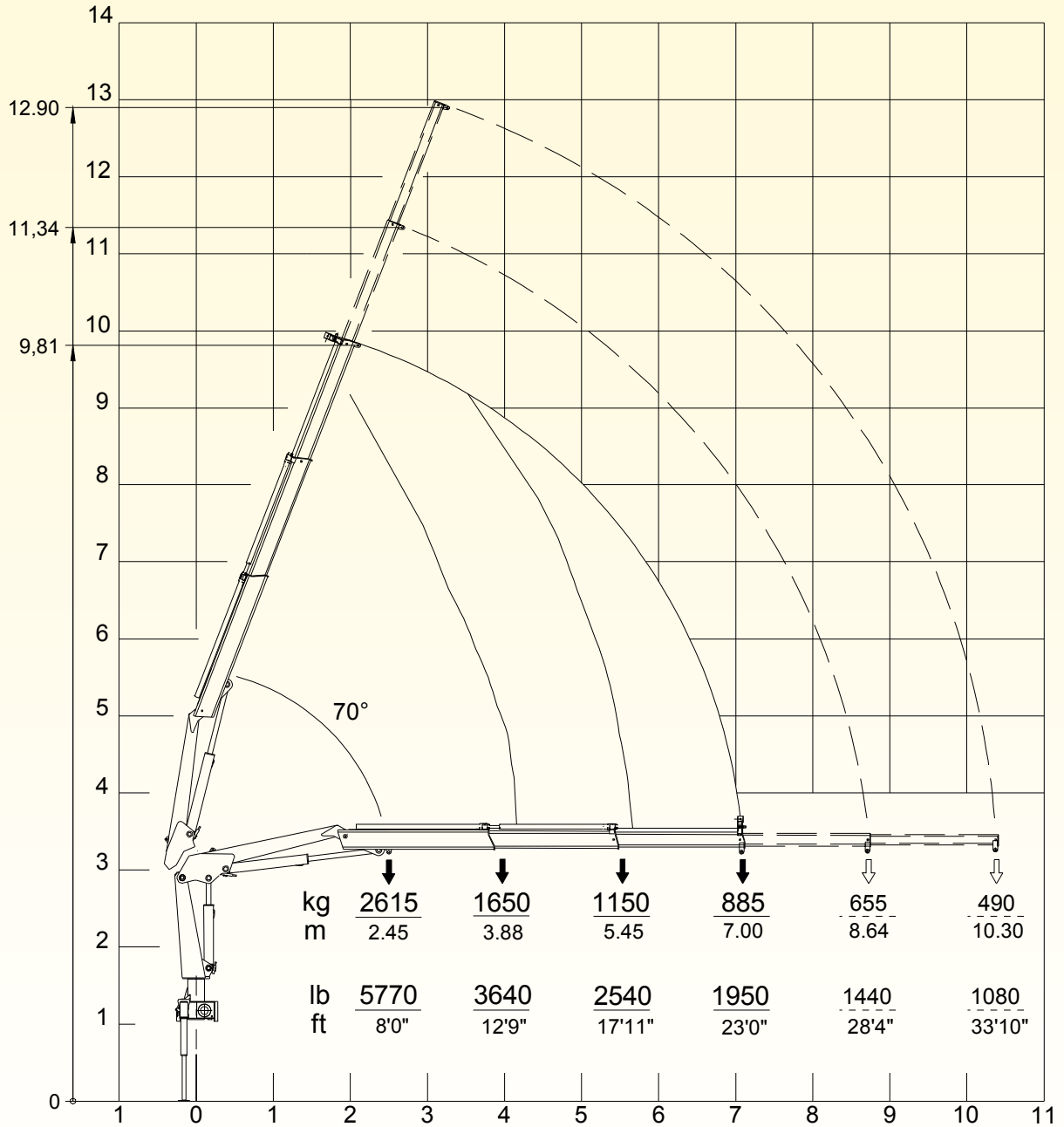


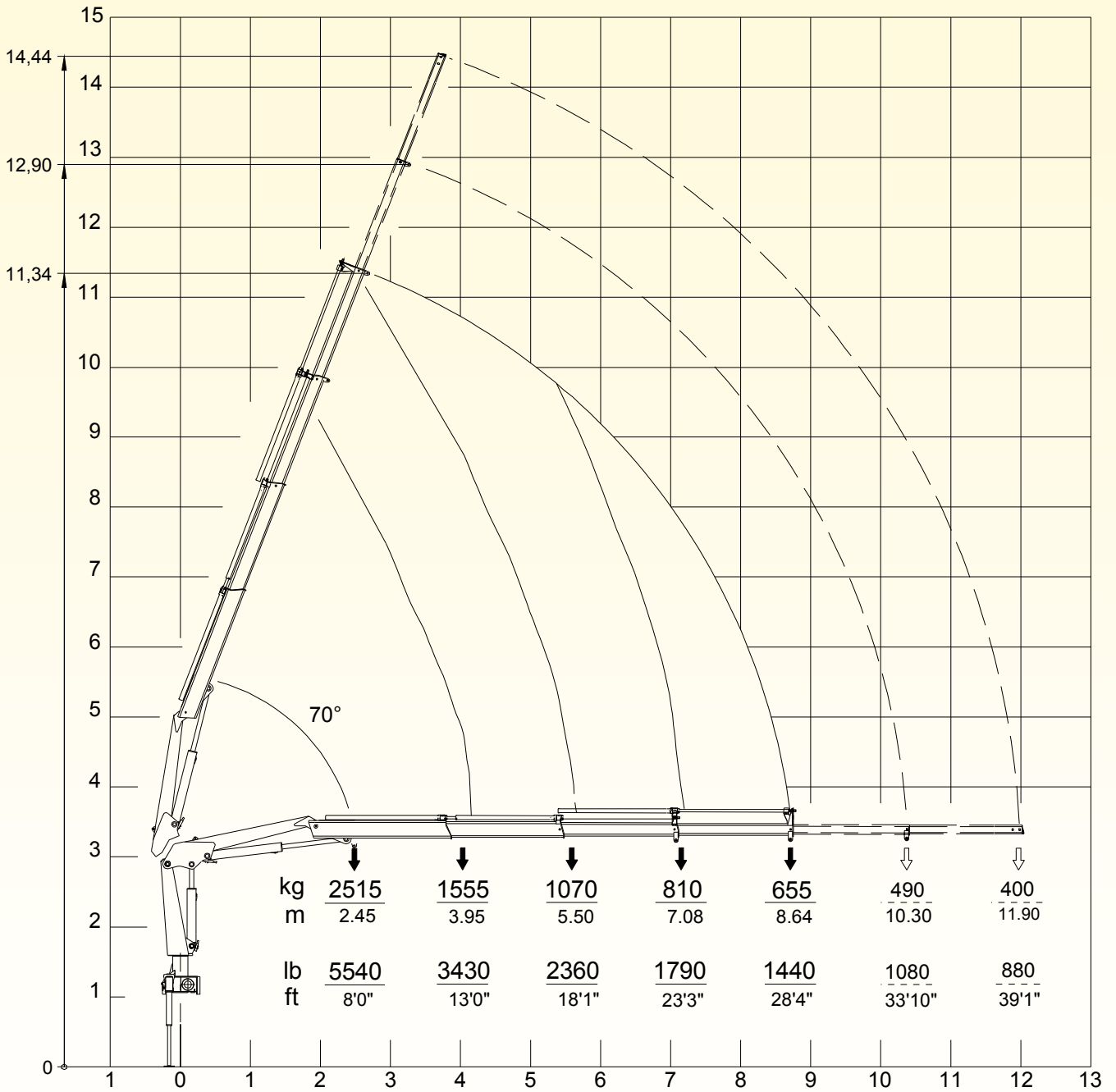
HB60 TECHNICAL SHEET

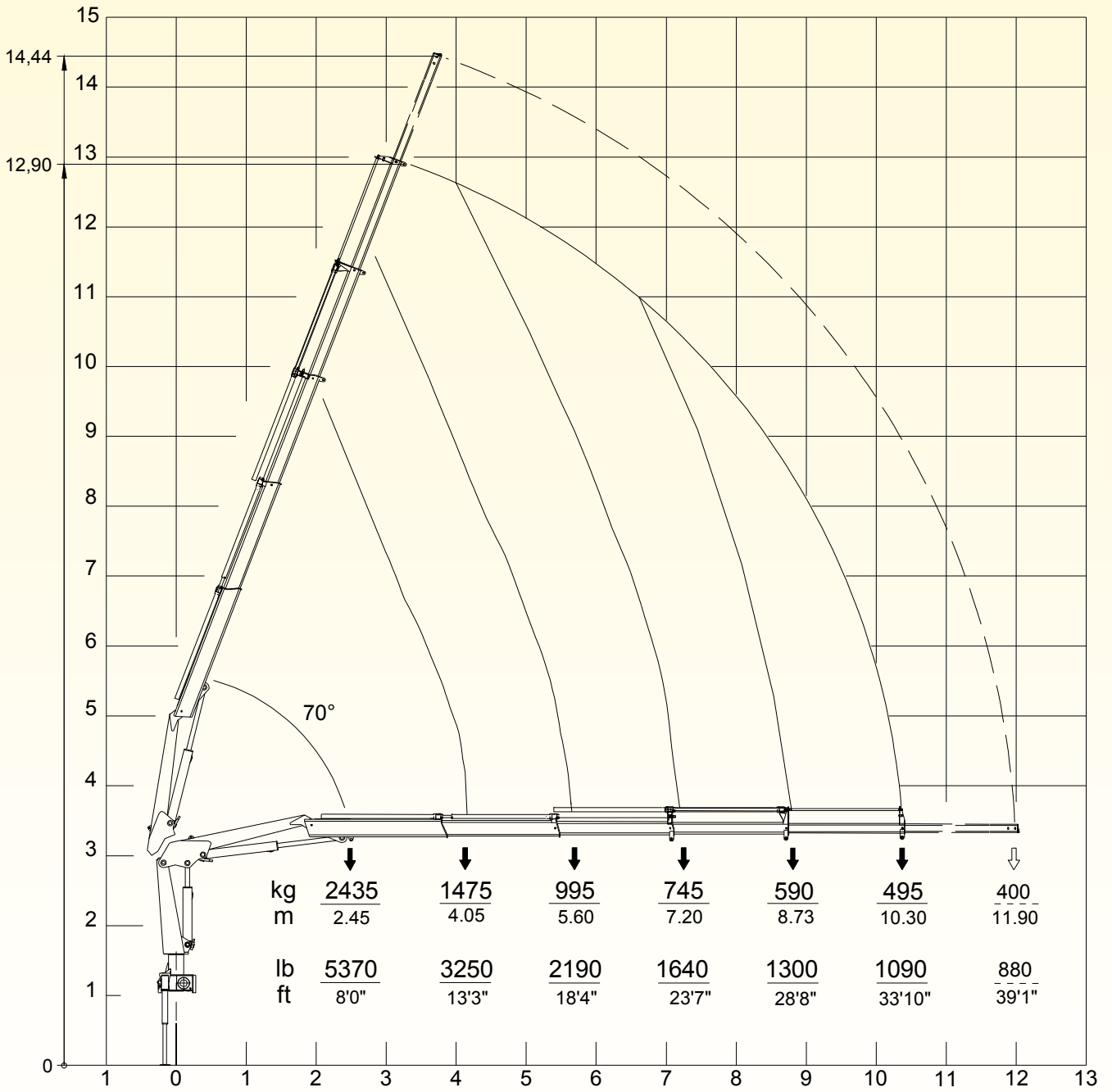
OVERALL DIMENSIONS E4

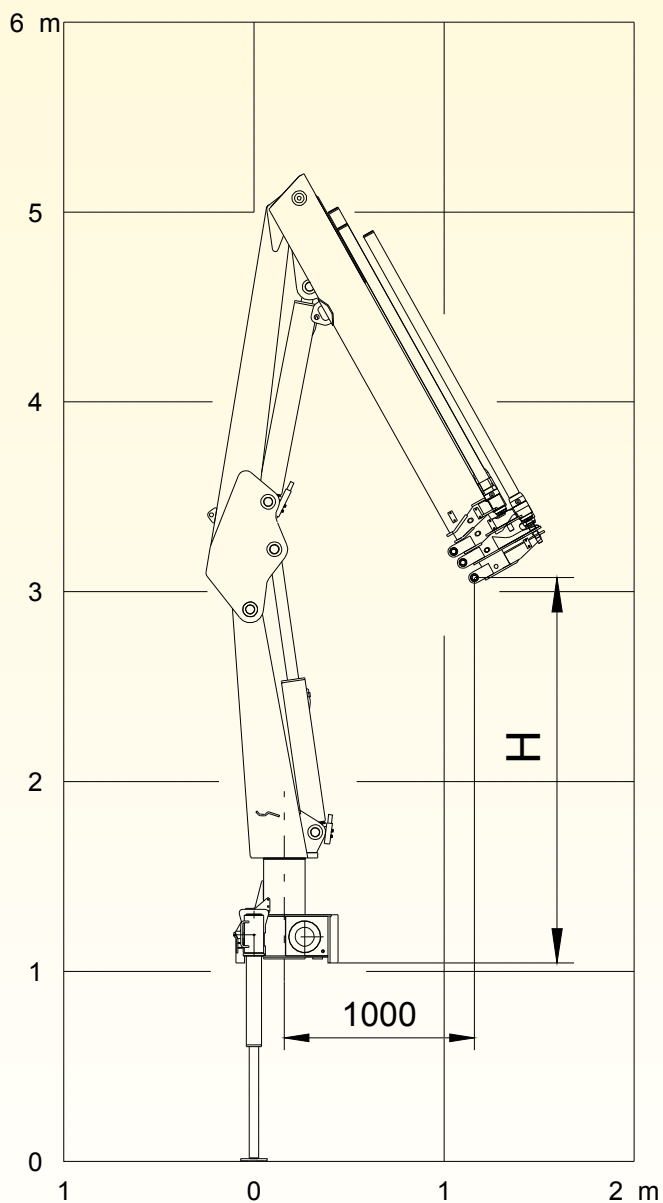












	H
HB60 E1	2215 mm
HB60 E2	2215 mm
HB60 E3	2135 mm
HB60 E4	2025 mm

CILINDRO DI SOLLEVAMENTO LIFTING CYLINDER	E1-E2-E3- E4
<i>Cylinder bore</i>	110
<i>Cyl. ext. diameter</i>	125
<i>Rod diameter</i>	60 - 0
<i>Centers (open)</i>	1505
<i>Centers (closed)</i>	890
<i>Stroke</i>	615
<i>Artic. pin Ø</i>	45
<i>Pin material</i>	C45

CILINDRO DI ARTICOLAZIONE ARTICULATION CYLINDER	E1-E2-E3-E4
<i>Cylinder bore</i>	110
<i>Cyl. ext. diameter</i>	125
<i>Rod diameter</i>	60 - 0
<i>Centers (open)</i>	2004
<i>Centers (closed)</i>	1134
<i>Stroke</i>	870
<i>Fixing pin Ø</i>	45
<i>Pin material</i>	C45

CILINDRO 1° SFILO 1ST EXTENSION CYL.	E1
<i>Cylinder bore</i>	50
<i>Cyl. ext. diameter</i>	60
<i>Rod diameter</i>	30 - 0
<i>Centers (open)</i>	1710
<i>Centers (closed)</i>	150
<i>Stroke</i>	1560

CILINDRO 1° SFILO 1ST EXTENSION CYL.	E2-E3-E4
<i>Cylinder bore</i>	50
<i>Cyl. ext. diameter</i>	60
<i>Rod diameter</i>	35 - 25
<i>Centers (open)</i>	1710
<i>Centers (closed)</i>	150
<i>Stroke</i>	1560

CILINDRO 2° SFILO 2ND EXTENSION CYL.	E2
<i>Cylinder bore</i>	50
<i>Cyl. ext. diameter</i>	60
<i>Rod diameter</i>	30 - 0
<i>Centers (open)</i>	1710
<i>Centers (closed)</i>	150
<i>Stroke</i>	1560

CILINDRO 2° SFILO 2ND EXTENSION CYL.	E3-E4
<i>Cylinder bore</i>	50
<i>Cyl. ext. diameter</i>	60
<i>Rod diameter</i>	35 - 25
<i>Centers (open)</i>	1710
<i>Centers (closed)</i>	150
<i>Stroke</i>	1560

CILINDRO 3° SFILO 3TH EXTENSION CYL.	E3
<i>Cylinder bore</i>	50
<i>Cyl. ext. diameter</i>	60
<i>Rod diameter</i>	30 - 0
<i>Centers (open)</i>	1710
<i>Centers (closed)</i>	150
<i>Stroke</i>	1560

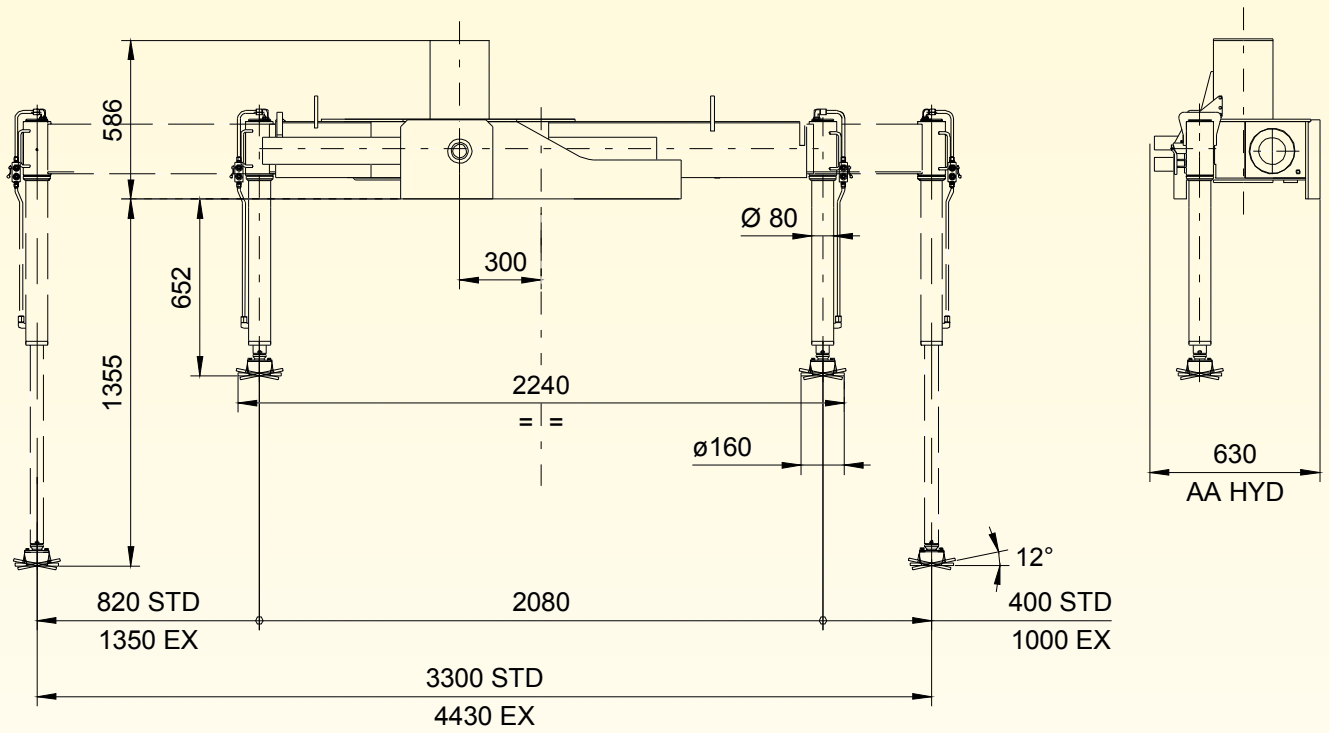
CILINDRO 3° SFILO 3TH EXTENSION CYL.	E4
<i>Cylinder bore</i>	50
<i>Cyl. ext. diameter</i>	60
<i>Rod diameter</i>	35 - 25
<i>Centers (open)</i>	1710
<i>Centers (closed)</i>	150
<i>Stroke</i>	1560

CILINDRO 4° SFILO 4TH EXTENSION CYL.	E4
<i>Cylinder bore</i>	50
<i>Cyl. ext. diameter</i>	60
<i>Rod diameter</i>	30 - 0
<i>Centers (open)</i>	1710
<i>Centers (closed)</i>	150
<i>Stroke</i>	1560

CILINDRO DI ROTAZIONE ROTATION CYLINDER	E1-E2-E3-E4
<i>Cylinder bore</i>	90
<i>Cyl. ext. diameter</i>	100
<i>Rod diameter</i>	-
<i>Centers (open)</i>	-
<i>Centers (closed)</i>	-
<i>Stroke</i>	567

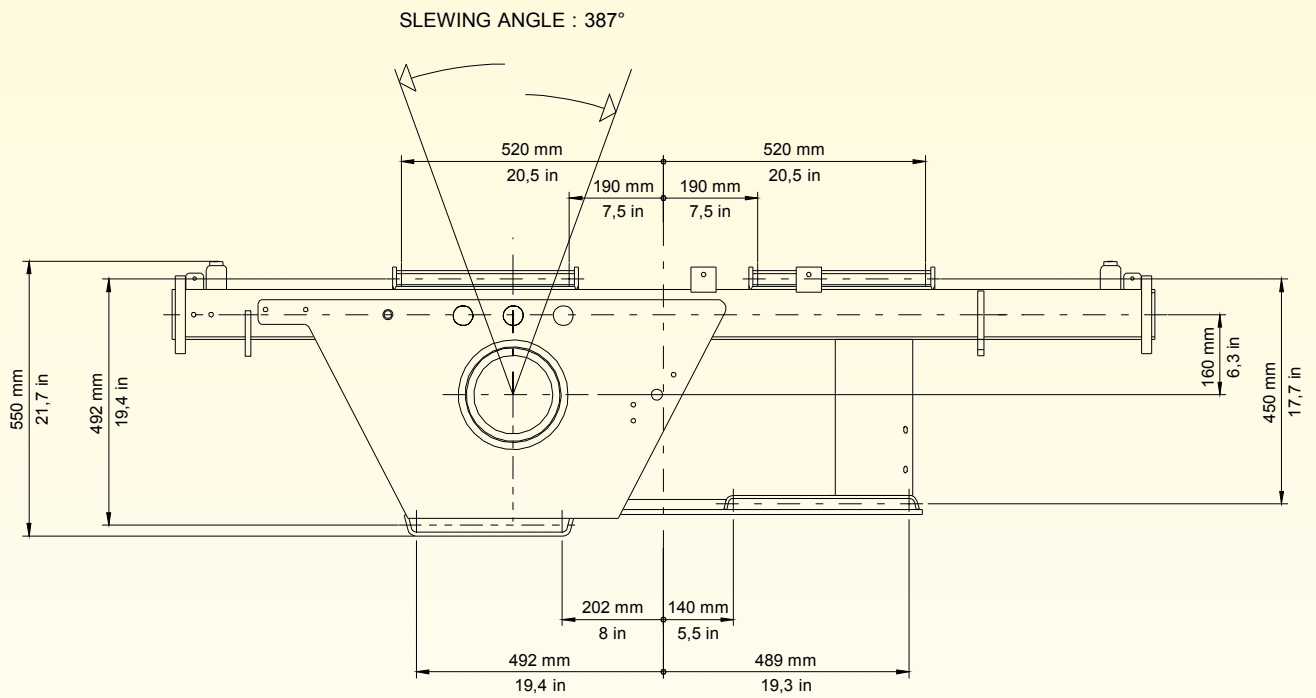
B60 TECHNICAL SHEET

BASE DIMENSIONS WITH TALL STABILIZERS



B60 TECHNICAL SHEET

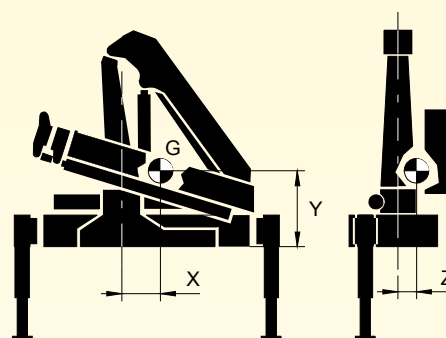
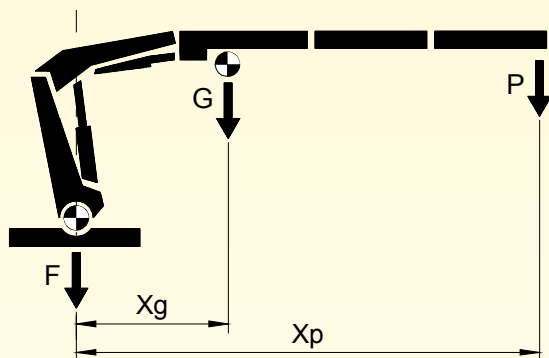
BASE DIMENSIONS, TIE MOUNTING RODS & ROTATION SCREWS

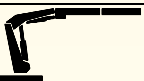
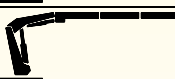

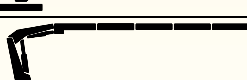


Tie mounting rods	N° 8 M20x1.5 42CrMo4 QT
Fixing bolts for 1 rotation cylinder	N° 6 M14x35 8.8 UNI 5931 Tightening torque 80 Nm

HB60 TECHNICAL SHEET

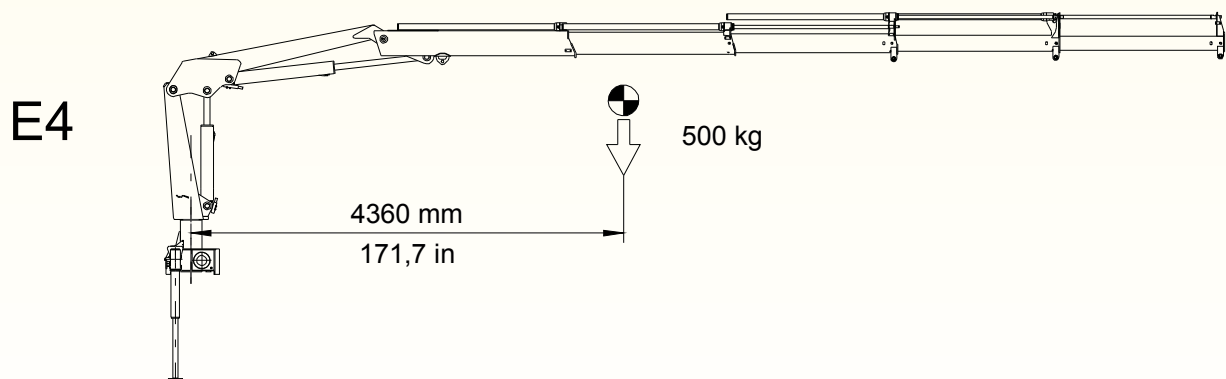
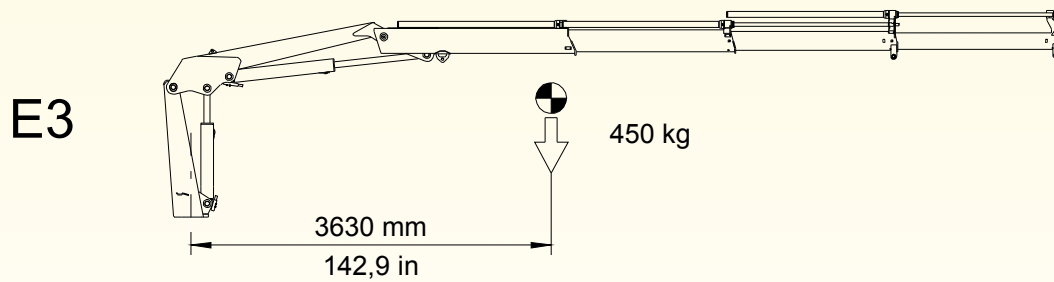
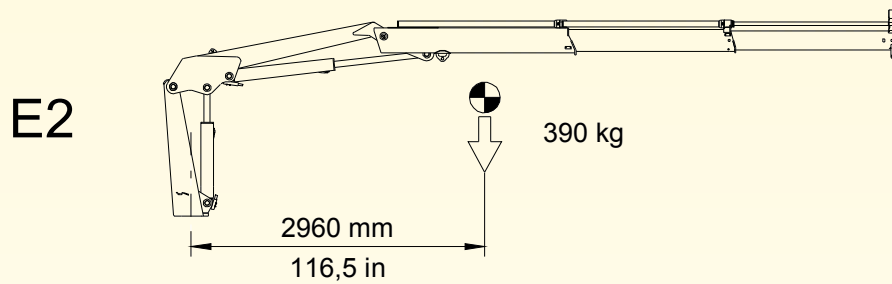
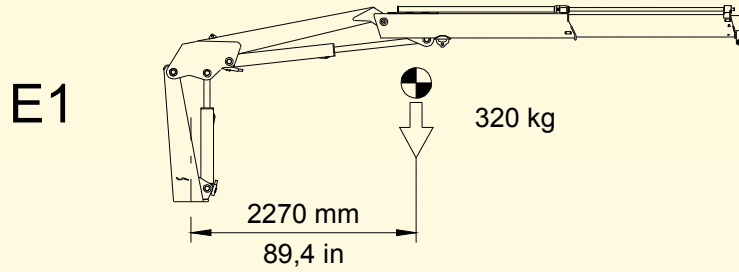
WEIGHTS – CENTER OF GRAVITY



HB60	F kg	G kg	Xg m	P kg	Xp m	TL kg	(X; Y; Z) mm
E1 	STD: 580 STD HYD: 610 EX: 625 EX HYD: 660	320	2.27	1230	5.34	1538	(225; 580; 20)
E2 		390	2.96	885	7.00	1106	(235; 585; 35)
E3 		450	3.63	655	8.64	824	(245; 590; 45)
E4 		500	4.36	495	10.30	636	(250; 595; 55)

HB60 TECHNICAL SHEET

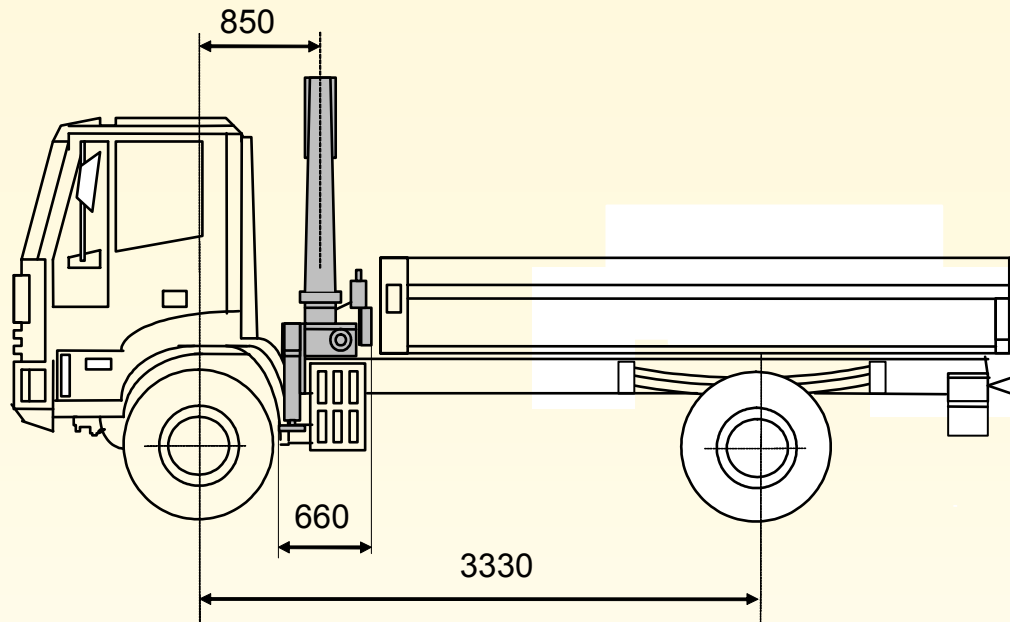
WEIGHTS – CENTER OF GRAVITY



	STD	EX	EX HYD
Fixed parts weight [kg]	580	625	660

HB60 TECHNICAL SHEET

MIN TRUCK WITH OUT SUPPLEMENTARY STABILIZERS



GVW = 10 ton

CHASSIS DATA

Front axle

Front axle tare weight = 2445 kg

Allowable front axle weight = 3500 kg

Rear axle

Rear axle tare weight = 970 kg

OUTFIT WEIGHTS

Body weight = 300 kg

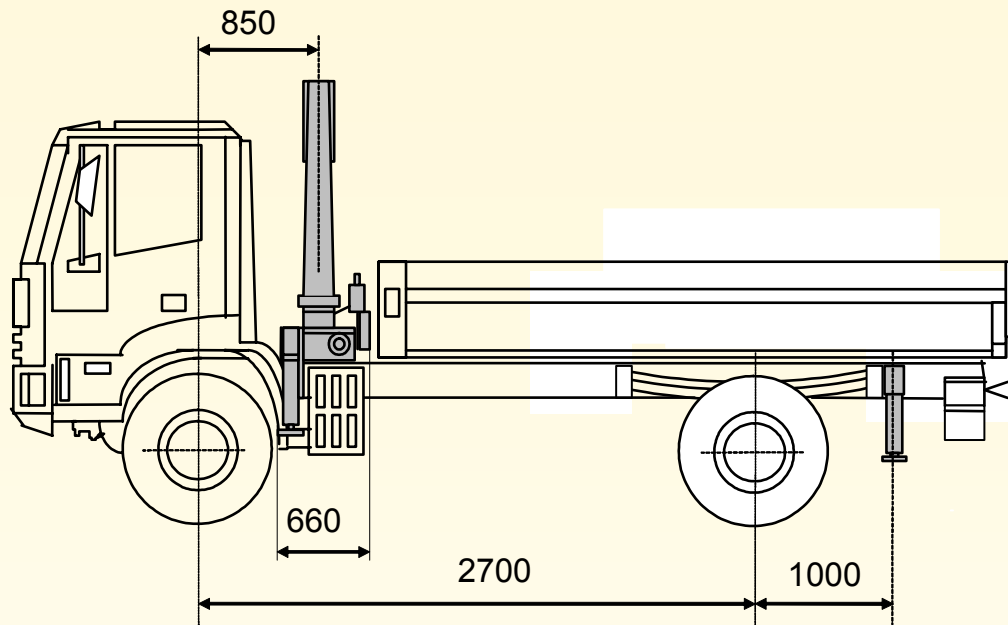
Crane weight = 1160 kg (HB60 E4 EX HYD)

Counterframe weight = 50 kg

Stability index = 1,28

HB60 TECHNICAL SHEET

MIN TRUCK WITH SUPPLEMENTARY STABILIZERS



GVW = 6,5 ton

CHASSIS DATA

Front axle tare weight = 2065 kg

Allowable front axle weight = 2900 kg

Rear axle

Rear axle tare weight = 765 kg

OUTFIT WEIGHTS

Body weight = 300 kg

Crane weight = 1160 kg (HB60 E4 EX HYD)

Counterframe weight = 95 kg

Rear beam stabilizers

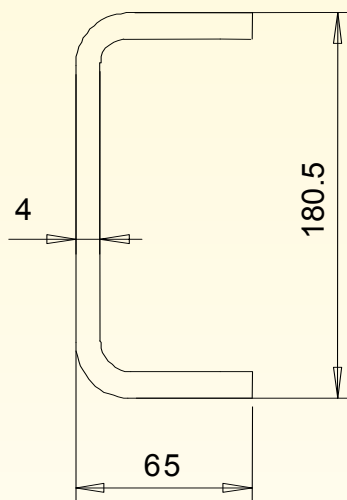
Min. width = 3000 mm

Rear stabilizer weight = 130 kg

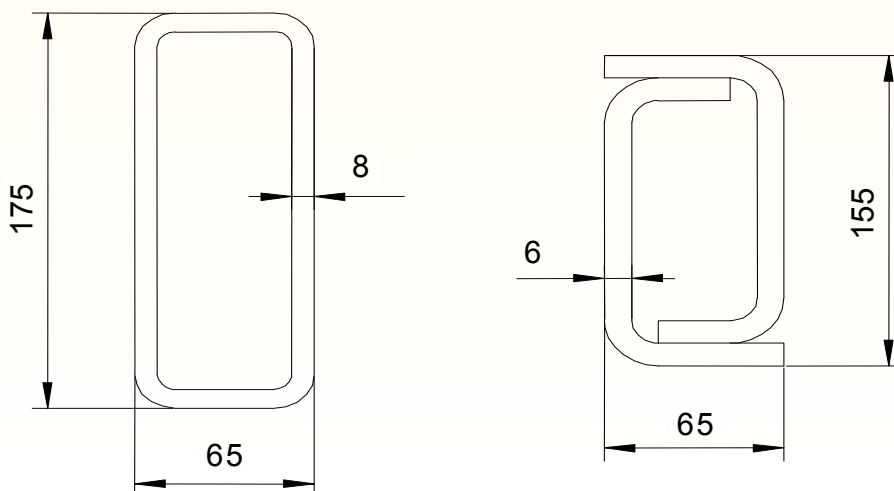
Stability index = 1,57

Max dynamic moment [daNm]	8180
---------------------------	------

Min frame section (truck GVW = 6,5 ton ; steel S355)



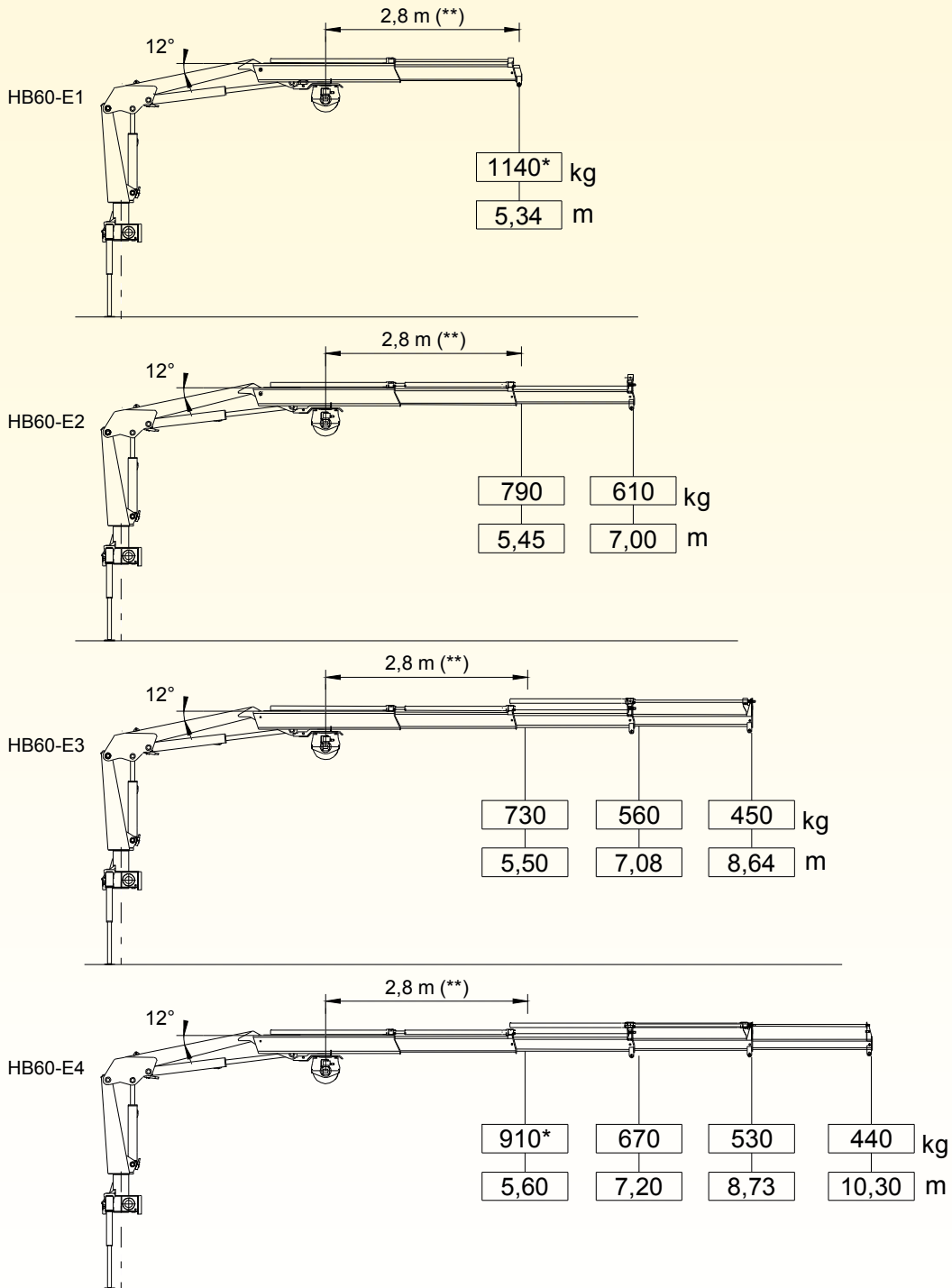
Min counterframe section (steel S355)



CRANE E1 - E2 - E3 - E4

Max winch direct pull for crane at horizontal boom work position [kg]

800



(**) = Distanza minima di utilizzo argano
 (**) = Min distance for using the winch
 (**) = Min Abstand für Benutzung der Winde

Max allowable weight [kg]	200
Max working pressure [bar]	250

THE CAPACITIES OF THE ACTIVATED CRANES (FOR GRAB OR BUCKET) ARE DERATED BY 30% RESPECT TO THE STANDARD CRANES

