

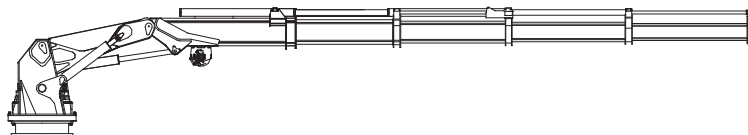


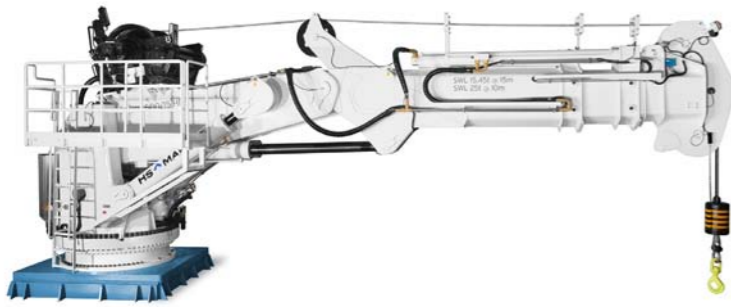
AKC CRANE RANGE

FOLDABLE KNUCKLE AND TELESCOPIC BOOM TYPE

HS  **MARINE**

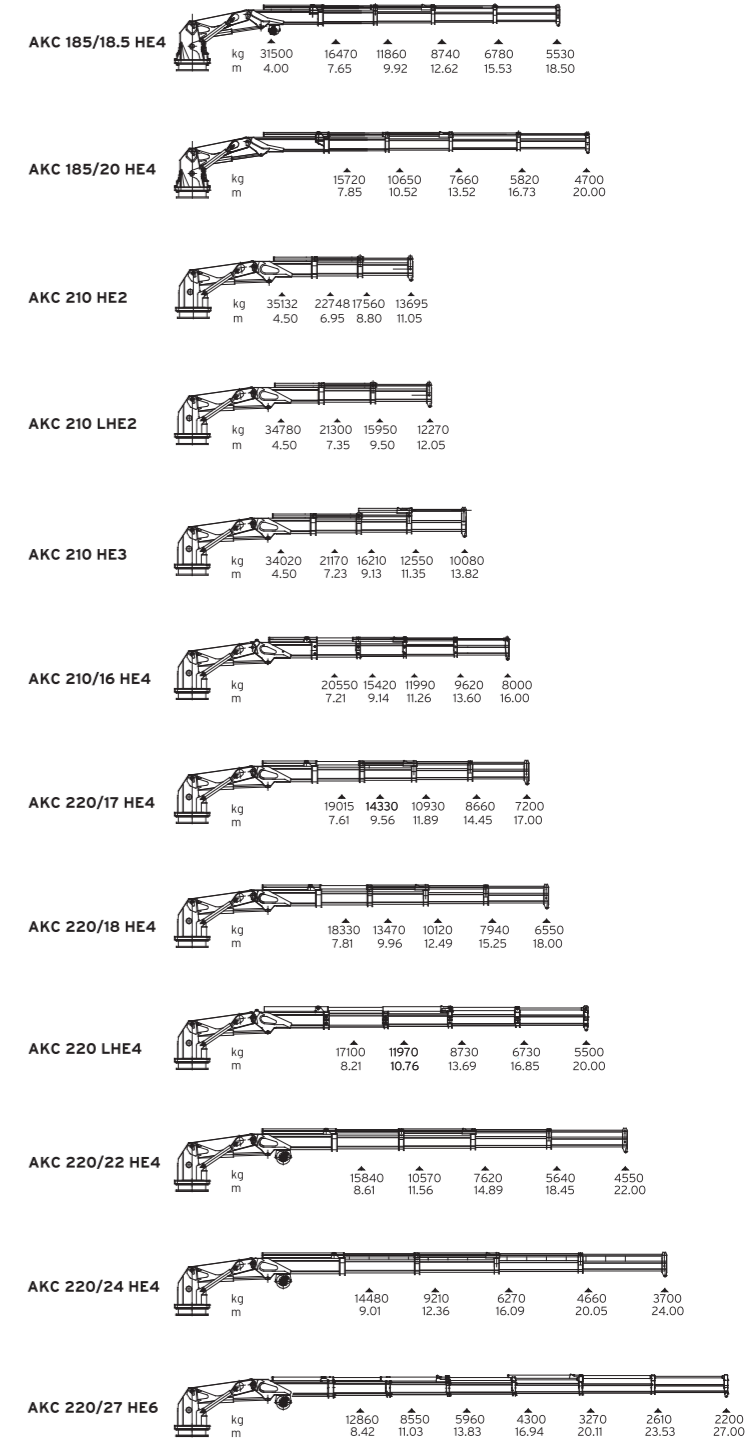
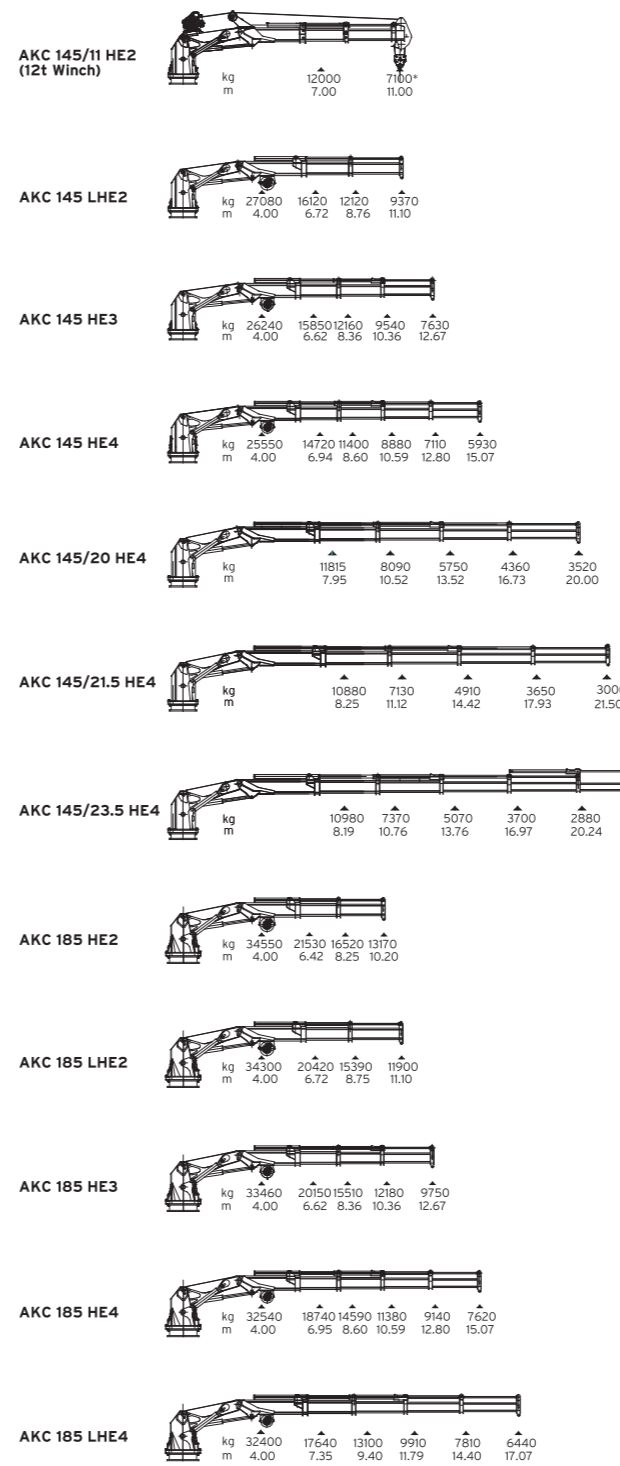
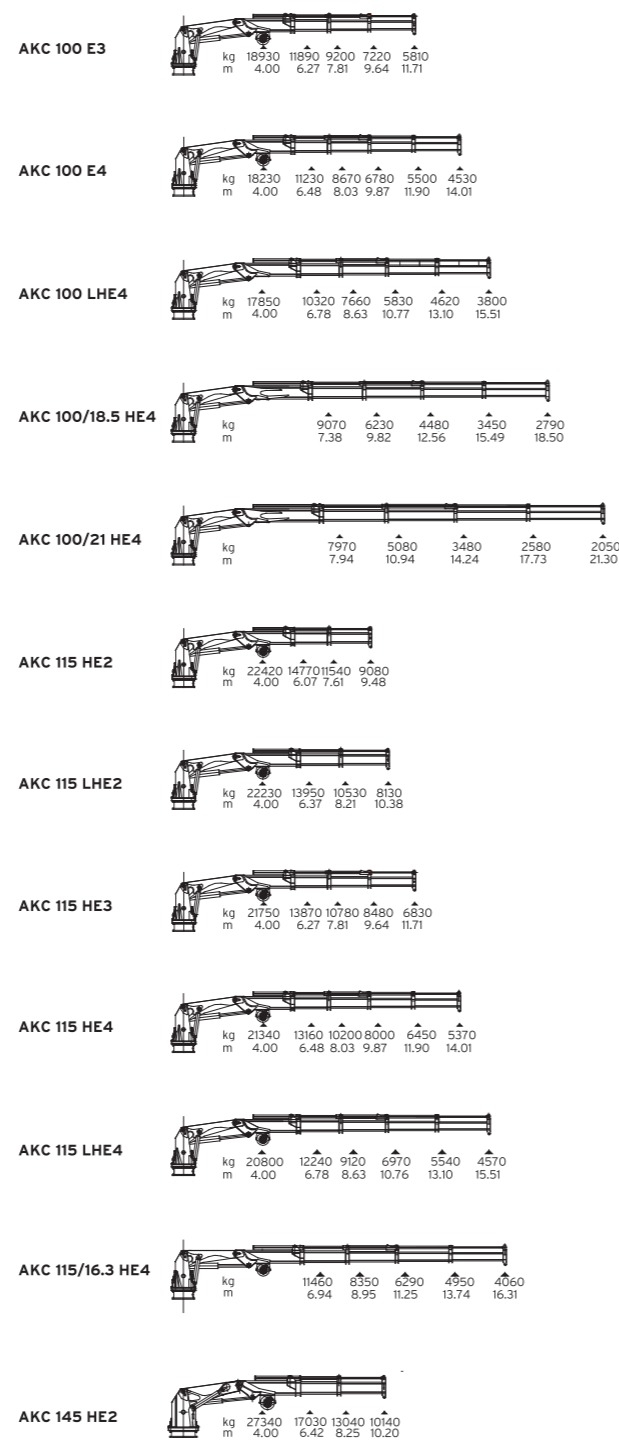
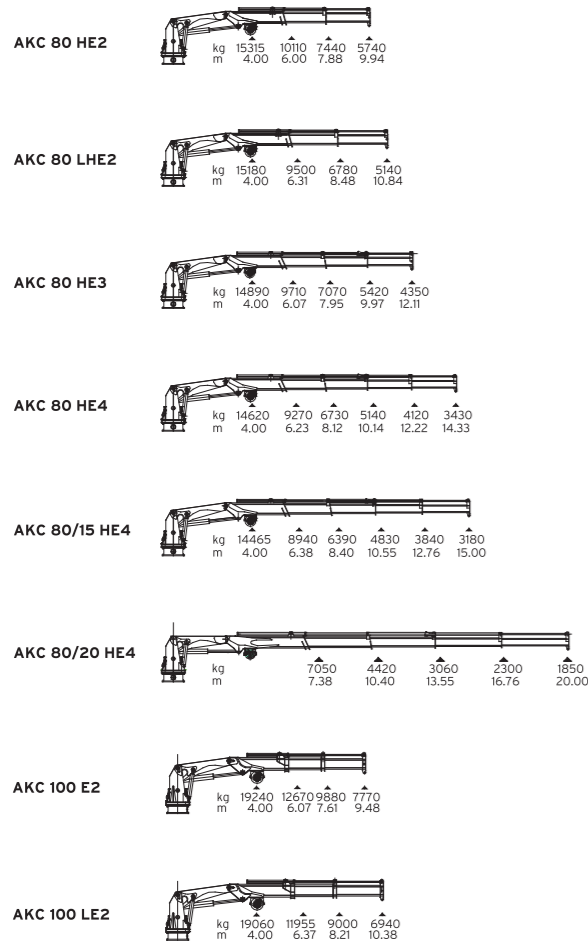
the ultimate crane specialist





AKC SERIES

Foldable knuckle and telescopic boom type cranes of different standard capacities. Custom built for operation to specific sea state conditions.



OPTIONAL SOLUTIONS

HS.Marine offer a wide range of optional solutions for the cranes. We are always available to discuss the technical specifications in order to find solutions that makes our cranes ideally suited for our customers' special application.

Some of the most common options are:

Hoisting winches

Including various type of pulley block, boom head, counter weight, hydraulic limit switch, electrical limit switch, load read out on winch, passive heave compensation, AOPS, MOPS, emergency drum release

Personnel lifting according to EN13852

Centralized greasing system

Flame metallization surface treatment

Various operator control positions

Separate control console, integrated seat or stand console, control support on column, cabin, radio remote control, cable remote control, remote seat chair control

Boom mounted led lights

Power packs for deck installation or for underdeck installation

Stainless steel cylinder rods or ceramic coated rods

Nuts, bolts and plastic caps and plugs for crane installation

Advanced safety system

Including HS.Marine Multifunction Service Unit and DiaMonD service software; local and remote operator screen with visualization of load, moment, message, warning and alarms

Sea state selector

Acoustic and visual alarm

Interface with other customer's equipment and remote emergency stop in category 2

Load radius indicator

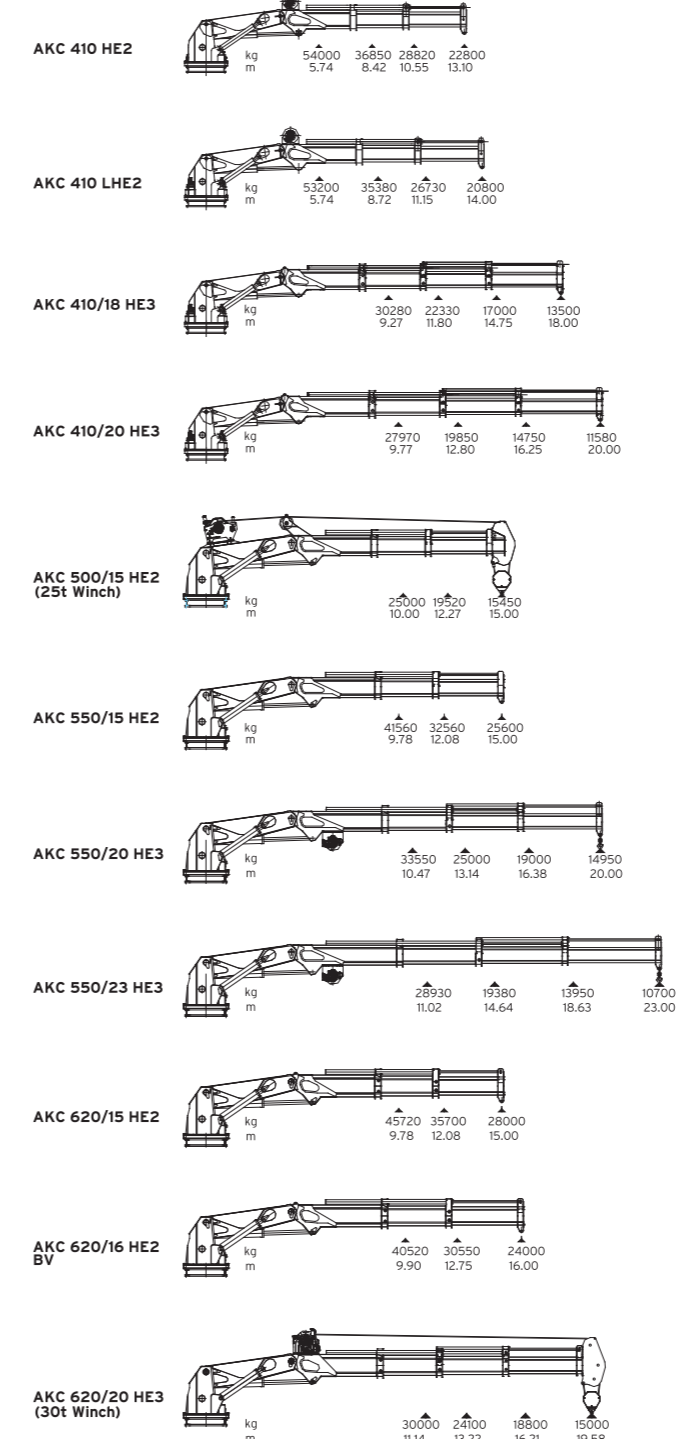
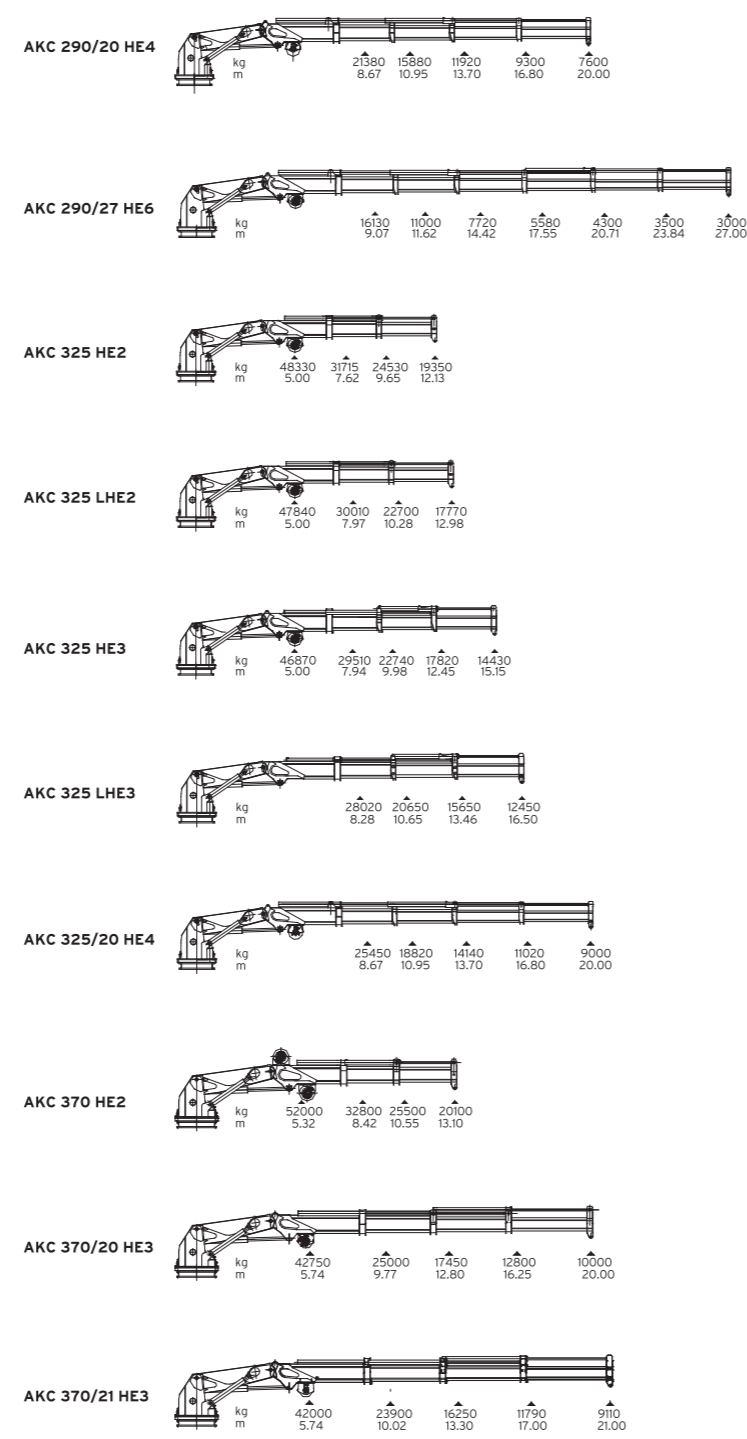
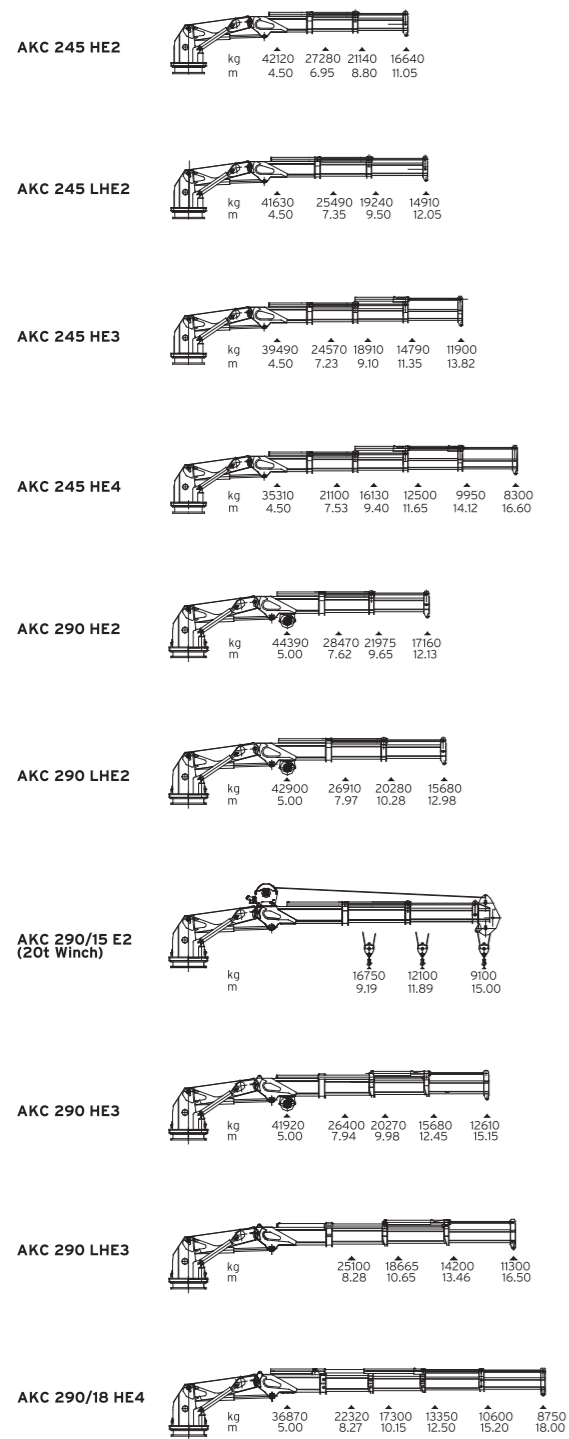
Design approval, inspection during fabrication, witness of FAT by classification society, crane certification

Extra elements on distributor block with hydraulic activation till boom end for additional equipment

Low design temperature

Crane color

Crane adaptor for installation on existing basements



AKC 245



AKC 290



AKC 370



AKC 410



AKC 500



AKC 620



QUALITY SOLUTIONS / QUALITY DETAILS

MARINE DESIGN

Our cranes design have been specially developed and improved for operation in marine environment. All structures have been designed to take up heavy lateral forces and to have a low value of elastic deflection during loading. All parts have been designed and protected for easy maintenance.

DESIGNED FOR LONG LIFE

Each crane components and each crane parts are selected and designed for long life. We totally understand what downtime means in marine business and the impact of service costs. Our goal is the reliability of the crane therefore we only use components or technical solutions of proven long lifespan.

CRANES WITHOUT LIMITATIONS

Our cranes can work in any configurations: no matter if the boom is fully vertical extended up or if it is knuckled downwards. The safe working load can be moved by any crane cylinders, including the telescopic ones.

EASY AND TESTED INSTALLATION

HS.Marine guarantees easy installation of all cranes. All the cranes connection points are properly prepared and clearly marked in order to make the installation as easy as possible. We always prepare the specific interface with customer's system and we test the crane with such interface before delivery.

LARGER PINS

In comparison to other cranes, the articulation points of our cranes are most likely bigger. We always calculate and design the cranes to withstand side loads. This results in larger pins.



POWERFUL ROTATION

All cranes are provide with a powerful rotation system that drive the crane perfectly even during height relevant angle of inclination. The rotation system is designed for shock load resistance. Gear boxes are a rarity as a spare for HS.Marine cranes.

EXCEPTIONAL STRENGTH AND LOW FLEXION

All structures have been designed to take up heavy lateral forces, to obtain a smooth transition between elastic and rigid point of construction and to have low value of flexion. All articulation points are especially dimensioned to be low stress; FMECA analysis are carried out for dimensioning.

CRANE DESIGN BASED ON RELIABILITY

We focus on quality solutions and quality of the components

CRANE BOOM TELESCOPIC SEQUENCE

As a befitting safety issue, we underline that the crane booms respects the telescopic sequence during extension out and retraction.



STAINLESS STEEL CONTROL POSITIONS

Control position are in stainless steel and has high protection from water spray.

HIGH ATTENTION TO DETAILS

For the best reliability and for easy maintenance.

SALT PROOF SEALING

We do our utmost to seal completely any exposed opening, such as the surface between two flanges, pins, plugs, umbraco bolts hearts, cylinder plugs, access holes for maintenance etc.

SURFACE TREATMENT GIVING A LONGER LIFE

Our design, our material and component selection, our excellent surface treatment and painting procedures and our salt proof sealing, all guarantee a strong barrier against corrosion.



DETAIL PROTECTION

All components are individually painted before assembling.

TAGGING

Cable, hose and components are tagged with the spare parts code.

FULLY TESTED

All our cranes are always load tested at the factory prior to delivering to our customers.

CUSTOMER SERVICE

None of our customer are left alone. We have a global service network. We care about our customers.

AS BUILT DOCUMENTATION

All provided documentation is as built, extensive and specially prepared for each individual crane. Each manual states the crane serial number and shows actual photographs taken of the crane and its many details.



HS MARINE

HS.Marine has a wide range of **foldable knuckle and telescopic boom cranes**, for low deck space occupation and very compact recovering.

All model can be heavily customized versions according to the customers' special applications.

All cranes have been designed and built from the ground up for marine use and are successfully utilized in the most critical application, demonstrating reliability.

HS.Marine cranes are designed and built to last.

Low and easy maintenance, reduced spare parts consumption, smaller crane down time and significantly longer time make HS.Marine the best value money can buy.

The marine environment demands equipment of the highest level of quality to ensure reliable and safe operations: HS.Marine cranes are able to satisfy these requirements.

Through experience, service commitment and global presence we provide the best cranes and life cycle support.

HS.MARINE THE QUALITY SOLUTION

HS.Marine range include stiff boom, telescopic boom, knuckle boom and knuckle telescopic boom cranes.



FOLDABLE KNUCKLE & TELESCOPIC



KNUCKLE & TELESCOPIC



KNUCKLE BOOM



TELESCOPIC BOOM



STIFF BOOM



HS.MARINE Srl
Via delle Querce, 1/3
46019 Viadana (MN)
ITALY

VAT No. IT02025300209
+39 0375 25 48 19
info@hsmarine.net
www.hsmarine.net

